



ORMESA®
• MADE IN ITALY SINCE 1980 •

Standy Electro
WING

Standy Electro **WING**

Autonomy in everyday life.

Standy Electro Wing by Ormesa is an **electric sit-to-stand standing frame**.

This aid, with its **functional and ergonomic design**, is designed to facilitate the maintenance of verticalization with bipodalic load and the autonomous standing training.

With Standy Electro Wing **transfers are effective and customized** according to the physical characteristics of the user.



PRODUCT
MARKED **CE**

STANDY ELECTRO WING is a MEDICAL DEVICE that COMPLIES WITH THE SAFETY REQUIREMENTS defined with the REGULATION (EU) 2017/745

Versatile

Easy transfer

With **Standy Electro Wing** the **verticalization** occurs electrically via a push-button panel, in **manual or automatic mode**.

During the transfer the user will be able to keep the position in complete safety, thanks to the towing belt and the lifting belt.

Through the control panel it is possible to **memorize the ascent and descent path**: this feature is particularly useful in case of difficulty to keep continuously pressed the descent and ascent buttons or in any case to further facilitate the verticalization, memorizing it. Thanks to the motor and the push-button panel, users able to manage the lifting belt independently, can **reach the upright posture and get back without any assistance**.

In order to better use Standy Electro Wing it is recommended to wear tight trousers for an optimum grip of the lifting band.

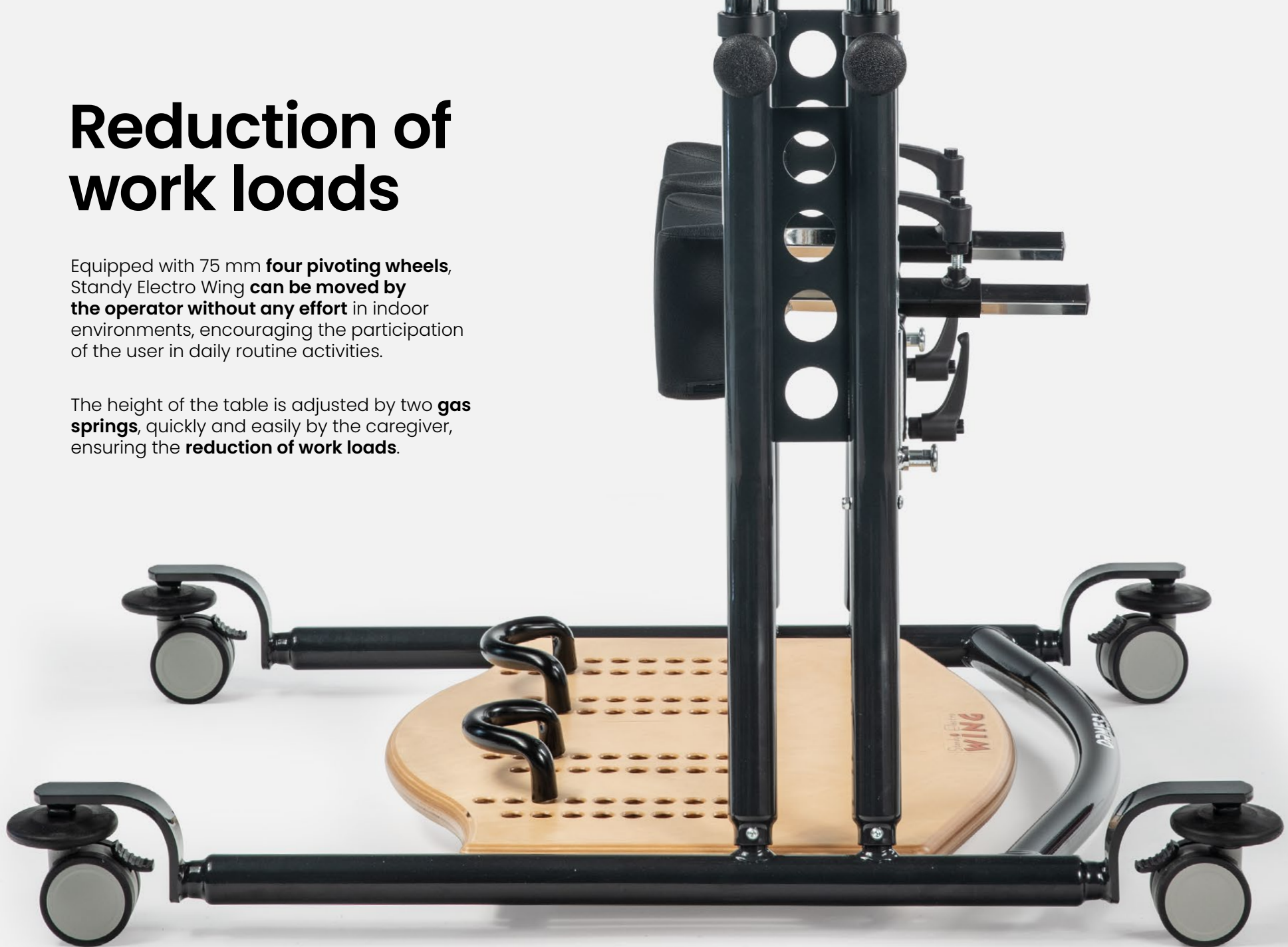




Reduction of work loads

Equipped with 75 mm **four pivoting wheels**, Standy Electro Wing **can be moved by the operator without any effort** in indoor environments, encouraging the participation of the user in daily routine activities.

The height of the table is adjusted by two **gas springs**, quickly and easily by the caregiver, ensuring the **reduction of work loads**.

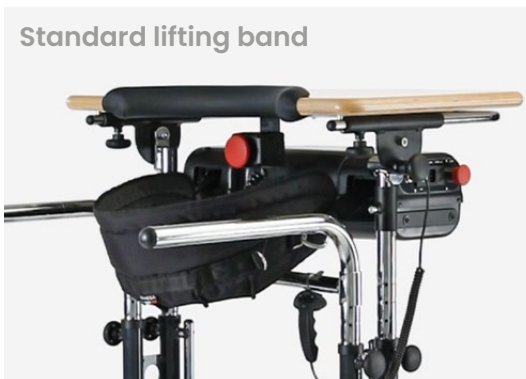


Technical features and adjustments



Tray

Birch plywood tray with padded recess to accommodate the trunk. Adjustable in tilt, in height and in backwards-forwards.



Standard lifting band



Lifting band with pelvic belt 908

Lifting band

It has an ergonomic shape and it's made of an **internal covering in no-slide technical fabric**, with **hooks** for traction while rising. On demand we can supply an **alternative lifting band with pelvic belt**. Both models are available in two sizes.



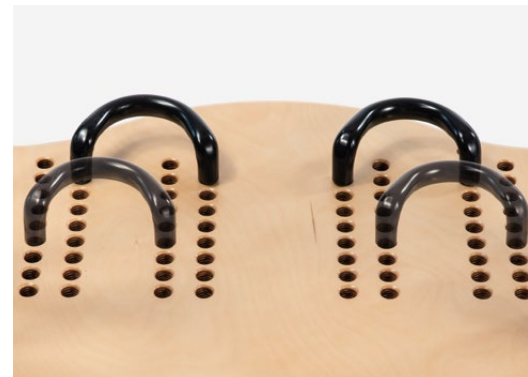
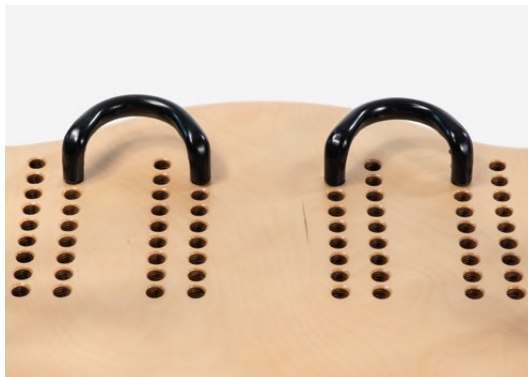
Emergency buttons

One is located on the control panel for the care giver and one is located under the tray for the user. Depth adjustable by using 4 screws.



Knee pads

adjustable in depth, height and abduction.



Heel rests

adjustable in depth and abduction.

Components



866R Pelvic and backrest support and adjustable headrest



866 Adjustable pelvic, head and back support



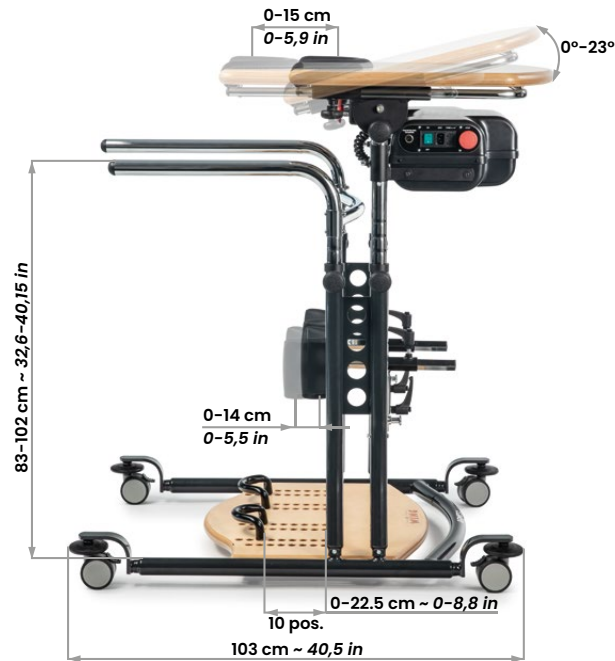
867 Adjustable pelvic support



902 Front footrests with straps



Standy E.Wing sizes and weight



STANDARD LIFTING BAND



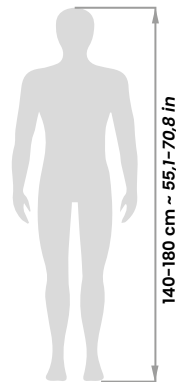
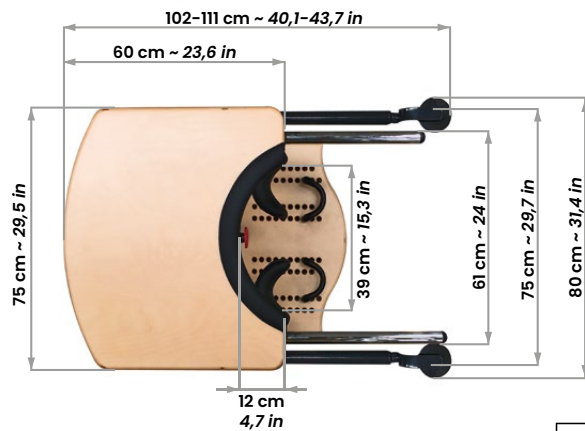
907 MAXI LIFTING BAND



908 LIFTING BAND WITH PELVIC BELT



909 MAXI LIFTING BAND WITH PELVIC BELT

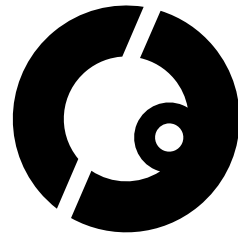


Total Weight 60 kg ~ 132,2 lb Max. Load 120 kg ~ 264,5 lb



Standy Electro
WING

ORMESA



CE complies with MDR (EU) 2017/745

COMPANY WITH
QUALITY SYSTEM
CERTIFIED BY DNV GL
= **ISO 13485** =

Ormesa srl - Via delle Industrie 6/8 | 06034 Foligno (PG) - ITALY
Tel. +39 0742 22927 | FAX +39 0742 22637 | info@ormesa.com

www.ormesa.com