

DISTRIBUTOR/AGENT:	DATE OF ORDER:
	DATE OF DELIVERY:
	NAME OF THE ADDRESSEE/USER:



ISO 7176/19 e  
ANSI RESNA WC/19



very  
breathable  
and fire  
retardant  
upholstery



Marked



Attention!  
Read carefully the user and  
maintenance manual

## FEATURES

- Available in three sizes.
- **2 versions: Trolli T30 and Trolli T60 with self-propelling wheels.**
- **Frame:** light and umbrella folding system, in aluminium. It is painted with non-toxic epoxy powders. When folded Trolli is compact and it allows you to carry it as if it were a travel trolley.
- **Push handles with manual and parking brakes.** Not available for Trolli T60 with self-propelling wheels.
- Resistant and durable **Backrest** guaranteed by the cross on the back.
- Slightly tilted **Seat.** The cross below ensures stability, comfort and durability.
- Extremely breathable, resistant and easily washable **Upholstery** (not removable). **Fire retardant**-reaction to fire Class 1 (non-flammable combustible materials) according to the MD of 26th. June, 1984 and subsequent amendments and additions.
- User manual **Bag** (Trolli T30) and wrench on the back of the backrest.
- **Legrest** adjustable in height. Elevatable and swivel **Footrests**, without encumbrance.
- **Front** solid swiveling **Wheels** 17cm (7 in) for size 36 and 40 and for all sizes of Trolli with self-propelling wheels; 20 cm (8 in) for size 43.
- **Rear** solid **Wheels** with **independent drum brakes**, 25 cm (10 in) for sizes 36 and 40; 30 cm (12 in) for size 43. The self-propelling version has 56 cm (22 in) wheels with anti-tip device. Overcoming step bar on both wheels.

Please check off the interested products



Frame colour: **Black**

Upholstery colour: **Black**

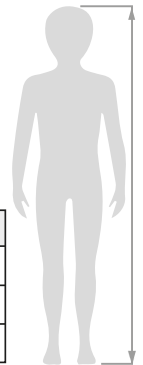
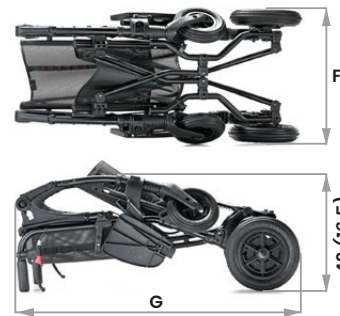
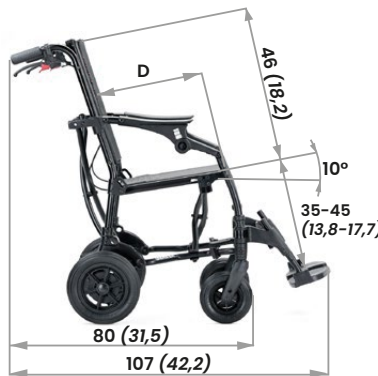
**Trolli T30**

Unit of Measurement: cm (in)

size 36

size 40

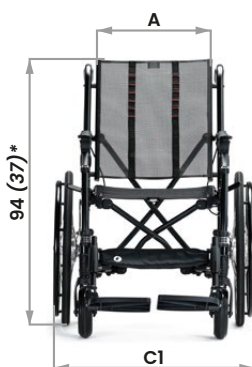
size 43



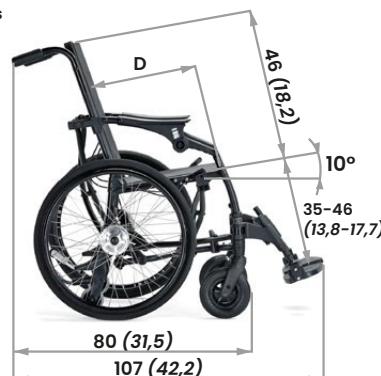
	A	C	C1	C2	D	F	G	Trolli T30 TOTAL WEIGHT	Trolli T60 TOTAL WEIGHT	Max. Load
size 36	36 (14,2)	59 (23,2)	64 (25,2)	49 (19,3)	36 (14,2)	42 (16,5)	94 (37)	13,1 kg (28,8 lb)	16,8 kg (37 lb)	80 kg (176 lb)
size 40	40 (15,7)	63 (24,8)	68 (26,8)	53 (20,9)	40 (15,7)	46 (18,1)	94 (37)	13,6 kg (30 lb)	17,3 kg (38,1 lb)	90 kg (198 lb)
size 43	43 (16,9)	66 (26)	71 (27,9)	56 (22)	40 (15,7)	42 (16,5)	97 (38)	14,1 kg (31 lb)	17,8 kg (39,2 lb)	110 kg (242 lb)

\* Height adjustment range with add-on 951 max. 101 cm (39,7 in)

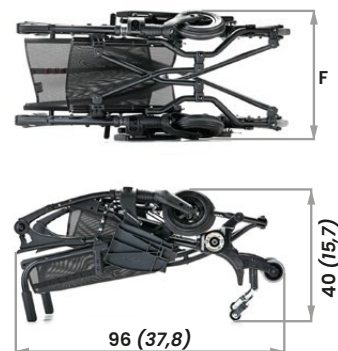
**Trolli T60** with self-propelling wheels



without self-propelling wheels



folded and without self-propelling wheels



COMPONENTS

**951** Height adjustable push handles.

**COMPONENT TO BE ORDERED WITH THE PRODUCT**



COMPONENTS TO CHOOSE ALSO AFTERWARDS

**947** with variable angle.

S  M



**920** 4 point pelvic belt.

S  M



**853** Vest harness.

S



**853 slim** 4 point shaped harness.

M



**958** Pelvic side supports with internal padding They reduce the seat width by 4 cm (1,6 in).

**Extra padding** They reduce the seat width by 8 cm (3,2 in).

They are not available for the self-propelling version.



**960** Heel rests.



**956** Footrests adjustable in tilt.



**858** Shopping basket.



**812** Front wheel direction locks.



**968** Padded covers for armrests easily removable for washing.



**966** Transformation kit from TROLLI T30 TO T60. For size 43, also the front wheels are provided.



**891** set of 4 tie down hooks for the forward-facing transport of the pushchair in a motor vehicle.



Notes.....  
.....  
.....  
.....  
.....  
.....  
.....

COMPONENTS MEASURES

<p><b>947</b></p> <p>small A=19 cm/7,4 in B=6 cm/2,3 in</p> <p>medium A=25,5 cm/10 in B=8 cm/3,1 in</p>	<p><b>920</b></p> <p>small A=16 cm/6,2 in B=15,5 cm/6,1 in</p> <p>medium A=23 cm/9 in B=19 cm/7,4 in</p>	<p><b>853</b></p> <p>small A=25 cm/9,8 in B=34 cm/13,3 in</p>	<p><b>853 slim</b></p> <p>medium A=33 cm/12,9 in B=46 cm/18,1 in C=5 cm/1,9 in</p>	<p><b>951</b></p> <p>7 cm 2,7 in</p>
---	--	---	--	--