

# Standy Electro WING

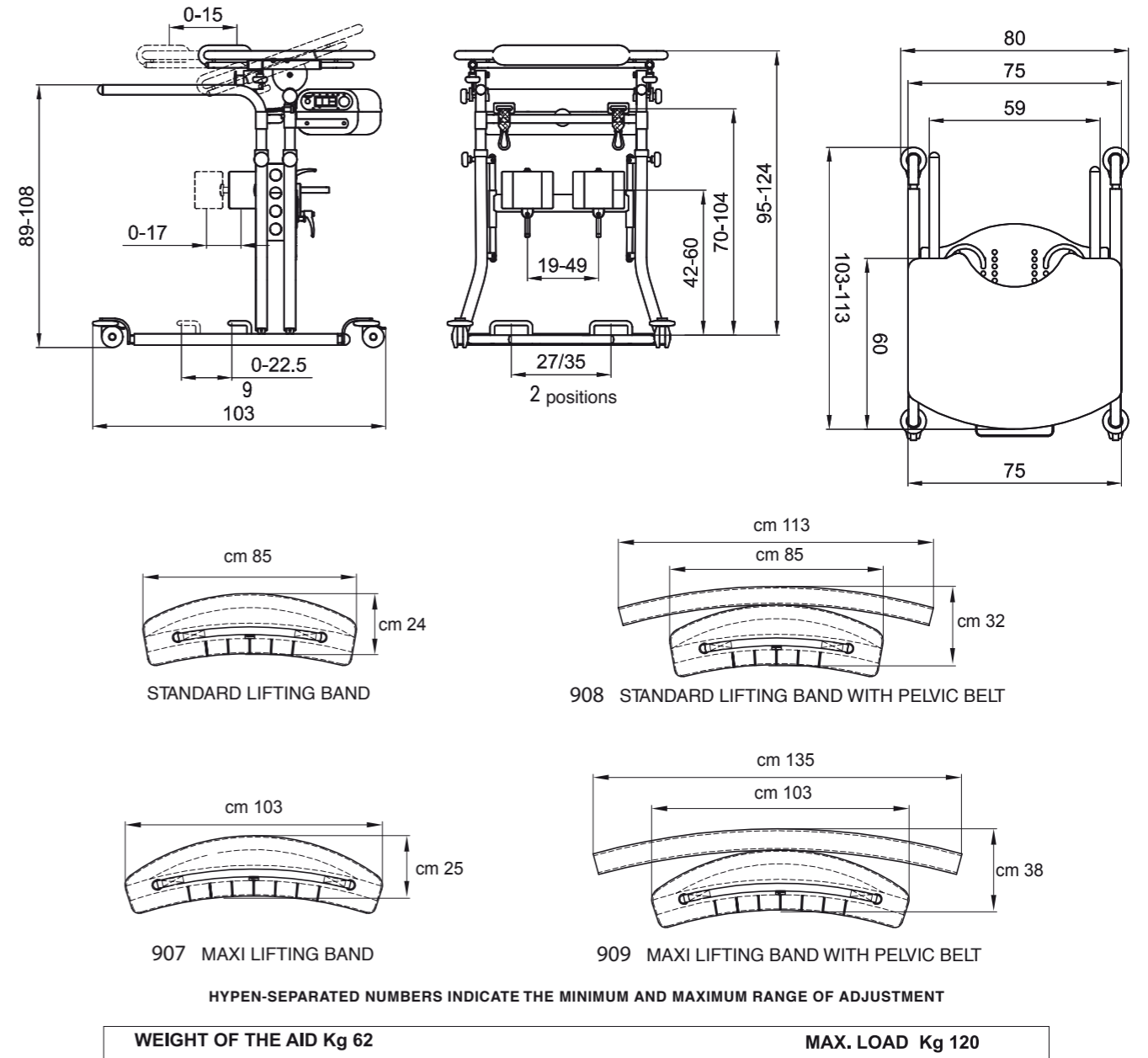
INGLESE - COD. 22738 - 01-03-2016

# Standy Electro WING

## MEASURES IN CM



The copyright even if partial is not allowed without the authorization of the manufacturer. The manufacturer reserves the right to make changes without any notice



 design and quality  
MADE IN ITALY since 1980



Authorized Dealer



**ORMESA** s.r.l.  
Via A. Da Sangallo, 1 - 06034 FOLIGNO (PG) ITALY  
TEL. +39 0742 22927-FAX +39 0742 22637  
info@ormesa.com-www.ormesa.com



COMPANY WITH QUALITY  
MANAGEMENT SYSTEM  
CERTIFIED BY  
= ISO 9001 =

# functions



We recommend to wear tight trousers to achieve the optimal grip of the band



heel-supports



knee-pads



standard lifting band



adjustable in width and backwards-forwards



adjustable in height, width and backwards-forwards



ergonomic, with anti-slip lining fabric. Hooks to allow traction while climbing. An **alternative maxi size** is available (**907 model**: please see measures on the rear page)



lifting band with pelvic belt

**Alternative 908 lifting band with pelvic belt.** A **maxi size** is available (**909 model**: please see measures on the rear page)

# functions



table it is adjustable in height



table it is adjustable in backwards-forwards



table it is adjustable in tilt (0°-23°)

# accessories



**902**  
Front foot restraints with belts



**867**  
pelvis support



**866**  
Chest, head and back support