

ORDER FORM

MINI STANDY standing frame

tray and wheels included



CE Marked

FUNCTIONS

- No edge **frame**, in order to enable trunk rotation and side-arm motion. It's adjustable in height by knobs, without using wrenches, "tools free".
- **Birch wood table**. It is removable and adjustable in height, tilt and depth.
- **Trunk Support** adjustable in its circumference thanks to Velcro straps, in height, back and forward.
- **Pelvic Support** adjustable in its circumference thanks to Velcro straps, in height, back and forward.
- **Numbered bars** to find the right setting, determined by the therapist.
- **Knee-pads** adjustable in height, width, depth and in a rotatory movement.
- **Heelrests** adjustable in depth and width.
- **Birch wood footboard**. It gives a safe guide to the child.
- **Twinned solid Wheels**, 75 mm. diam., rear wheels with brakes. Thanks to the wheels the aid can be moved from one room to another having the child on it.



Attention!
Read carefully the user and maintenance manual

Please check off the interested products:



MINI STANDY-1

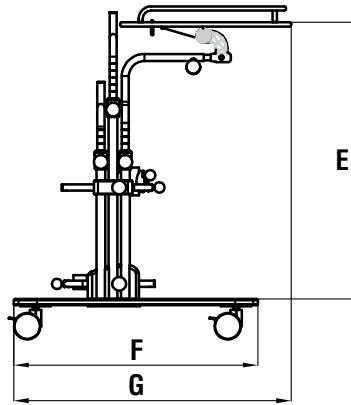
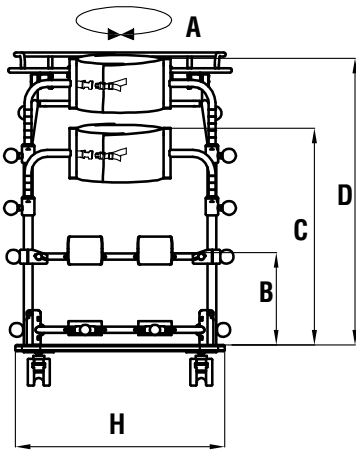


MINI STANDY-2

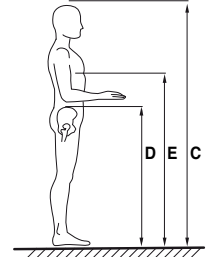


MINI STANDY-3

MEASURES



User dimensions



USER HEIGHT (C)
size 1: min cm 75 - max cm 100
size 2: min cm 95 - max cm 125
size 3: min cm 120 - max cm 150

IMPORTANT:
make sure that measures D and E indicated in the figure do not exceed the suggested range indicated for pelvic and trunk supports.

SIZE	MAX LOAD CAP	WEIGHT	A	B	C	D	E	F	G	H
1	35 kg	17 kg	60 cm	14-26 cm	43-54 cm	55-70 cm	49-73 cm	60 cm	73-83 cm	56 cm
2	45 kg	21 kg	65 cm	14-36 cm	55-68 cm	70-90 cm	58-88 cm	70 cm	78-88 cm	60 cm
3	55 kg	23 kg	70 cm	14-42 cm	65-85 cm	85-110 cm	69-100 cm	80 cm	83-93 cm	65 cm

ACCESSORIES



944
Circumference reduction parts

Thickness: 3 cm. each side



865
Adjustable headrest



Notes:

