

ORDER FORM

DYNAMICO

walking for INDOOR USE

DISTRIBUTOR/AGENT:	DATE OF ORDER:
	DATE OF DELIVERY:
	NAME OF THE ADDRESSEE/USER:



Tested by **DEKRA Stuttgart**
and listed in the **GERMAN HMV** (Technical Aids Listing)
FDA registered - USA
CE marked

FUNCTIONS

- Non-toxic epoxy varnished chromium-plated **frame**, in steel
- Padded **pelvic support** adjustable in height as well as backwards-forwards
- Padded **chest support** adjustable in height and removable
- Double thickness cotton fabric **harness** adjustable in height thanks to belts and buckles and in girth with velcro strips. It can be easily removed for washing
- 8 cm **castor wheels**. Each has a double brake
- Semi-elastic **PVC bumpers** to protect from impacts

Please check off the interested products: _____

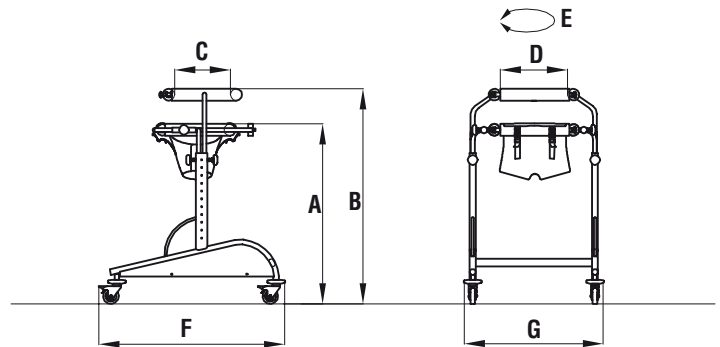
MEASURES

- DYNAMICO-1** (very small) **YELLOW frame**
- DYNAMICO-2** (small) **YELLOW frame**
- DYNAMICO-3** (medium) **YELLOW frame**
- DYNAMICO-4** (large) **ANTHRACITE frame**
- DYNAMICO-5** (for adults) **ANTHRACITE frame**

Upholsteries colour: **Black**



Attention!
Read carefully the user and
maintenance manual



SIZES	MAX. CAP LOAD	A	B	C	D	E	F	G	AID WEIGHT	WEIGHT BAR left + right	Turning width
1	Kg. 55	cm 44-60	cm 52-70	cm 18	cm 25	cm 65	cm 79	cm 66	Kg. 12	-----	cm 100
2	Kg. 70	cm 66-82	cm 77-95	cm 21	cm 28	cm 75	cm 84	cm 66	Kg. 14,6	Kg. 5	cm 104
3	Kg. 85	cm 77-102	cm 89-116	cm 25	cm 30	cm 85	cm 88	cm 66	Kg. 15,6	Kg. 6,2	cm 107
4	Kg. 100	cm 85-112	cm 92-126	cm 30	cm 35	cm 110	cm 95	cm 71	Kg. 17	Kg. 7,4	cm 117
5	Kg. 115	cm 98-120	cm 108-138	cm 32	cm 41	cm 120	cm 106	cm 77	Kg. 19,7	Kg. 8,7	cm 127

ACCESSORIES

809 Arm support.
Alternative to 813 and 824



943 Arm straps for
arm supports 809



813 Adjustable
handlebar.
Alternative to 809 and 824



824 Transparent tray.
Alternative to 809 and 813



815 Abduction saddle
(sizes 2,3,4)



810 Weight bars (sizes
2,3,4,5). Please see the table
above to check the added weight
for each size



814 Leg divider



811 Front wheels with
adjustable brakes



812 Back wheels with
directional locks



Notes: _____

