

Tested by **BERLIN CERT GmbH**
and listed in the **GERMAN HMV**
(Technical Aids Listing)

Certified by **CERAH France**

FDA registered (USA)

CE Marked

DISTRIBUTOR/AGENT:	DATE OF ORDER:
	DATE OF DELIVERY:
	NAME OF THE ADDRESSEE/USER:

Please check off the interested products:

MEASURES

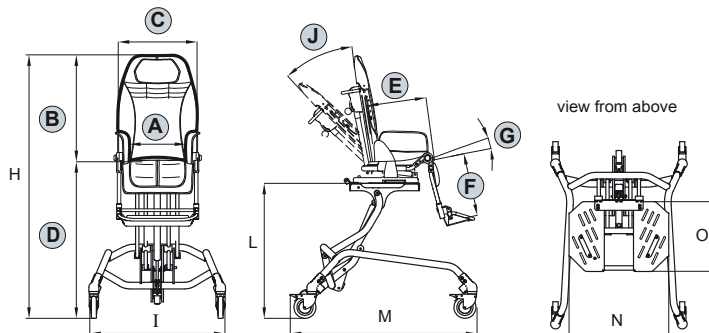
size Small

size Medium

Upholstery colour: pink light blue orange

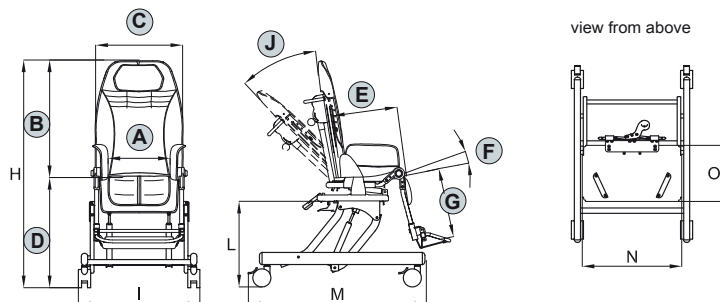
Frame colour: **anthracite**

Bug with 856 indoor base



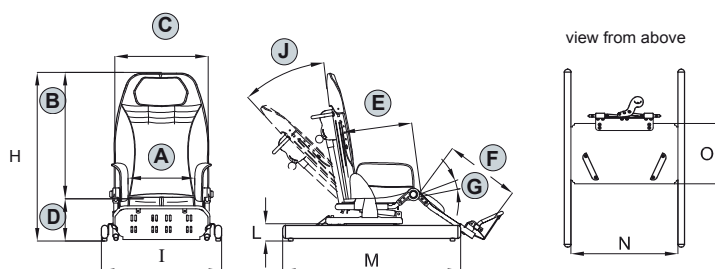
With 856 base	Max. load cap. (kg)	A (cm)	B (cm)	C (cm)	D (cm)	E (cm)	F (cm)	G (degree)	J (degree)	H (cm)	I (cm)	L (cm)	M (cm)	N (cm)	O (cm)	frame weight (kg)	seat weight (kg)	total weight (kg)
Small	35	20-30	52-62	37	47-73	20-30	14-30	0°-35°	35°	99 - 135	56	35-61	79	40	25	14,5	8,5	23
Medium	45	25-36	60-75	44	47-73	30-40	30-40	0°-25°	40°	107-148	62	35-61	83	45	32	15,5	11,5	27

Bug with 851 indoor base



With 851 base	Max. load cap. (kg)	A (cm)	B (cm)	C (cm)	D (cm)	E (cm)	F (cm)	G (degree)	J (degree)	H (cm)	I (cm)	L (cm)	M (cm)	N (cm)	O (cm)	frame weight (kg)	seat weight (kg)	total weight (kg)
Small	35	20-30	52-62	37	34-50	20-30	14-30	0°-35°	35°	86-112	50	23-39	72	41	23	8.8	8,5	17,3
Medium	45	25-36	60-75	44	34-50	30-40	30-40	0°-25°	40°	94-125	55	23-39	76	46	28	10	11,5	21,5

Bug with 850 indoor base



With 850 base	Max. load cap. (kg)	A (cm)	B (cm)	C (cm)	D (cm)	E (cm)	F (cm)	G (degree)	J (degree)	H (cm)	I (cm)	L (cm)	M (cm)	N (cm)	O (cm)	frame weight (kg)	seat weight (kg)	total weight (kg)
Small	35	20-30	52-62	37	17	20-30	14-30	0°-35°	35°	69-79	46	6	61	41	23	4.5	8,5	13
Medium	45	25-36	60-75	44	17	30-40	30-40	0°-25°	40°	77-92	51	6	63	46	28	5.4	11,5	16.9

SEAT UNIT, the only one with a tilt-in-space system incorporated in the seat

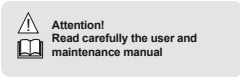
- **HEADREST** incorporated in the backrest: your child's head is always supported during the tilt adjustments of the seat and of the backrest, also without accessories.
- Rigid **BACKREST**, reclinable and adjustable in height. The hinge coincides with the child's pelvis physiological fulcrum.
- Tilt-in-space **SEAT**, adjustable in width and depth. Reversible (size Small, base 869).
- Fireproof, recyclable **FABRIC**. Colours durable and highly resistant to sweat, light, dry cleaning and washing. Maximum resistance to rubbing. Oeko-Tex Classe 1 Certificate - the highest reachable class for textile products intended for infants and children: for all fabrics that are in direct contact with the skin. A guarantee of quality and safety for health.
- Tip-up **FOOTREST**, flexion-extension adjustable, with legrest adjustable in height and tilt; the hinge coincides with the child's knee physiological fulcrum.

869 OUTDOOR four wheels base - CRASH TESTED ISO 7176/19 and ANSI RESNA WC/19

- foldable aluminium **FRAME**. Push-handle adjustable in tilt: adapts to the mother's height and reduces the encumbrance of the pushchair.
- Puncture proof **WHEELS**, light and easy to push on every surface: front 17 cm with directional locks; rear 25 cm (size Small) or 30 cm (size Medium), with shock absorbers and independent drum brakes.

856 - 851 indoor high-low bases, 850 indoor compact floor base

- Foldable **FRAME** in steel. Adjustable in height. It is easy and safe to use, thanks to a mechanism with a gas spring, hand lever (base 851) and foot pedal (base 856)
- 10 cm swivelling **WHEELS** with brakes (for base 856)
- 7.5 cm swivelling **WHEELS** with brakes (for base 851)



ACCESSORIES	<input type="checkbox"/> 863 Multiadjustable Headrest with parietal supports 	<input type="checkbox"/> 852 Headrest with parietal supports 	<input type="checkbox"/> 942 Ergonomic headrest 	<input type="checkbox"/> 835 Shaped headrest 	<input type="checkbox"/> 934 Suspension headrest attachment. Only available for 863 headrest 	<input type="checkbox"/> 838 Adjustable lateral supports 
	<input type="checkbox"/> 868 Adjustable wrappable and flexible trunk supports 	<input type="checkbox"/> 834 Padded abduction block 	<input type="checkbox"/> 834R Adjustable padded abduction block 	<input type="checkbox"/> 853 Vest harness 	<input type="checkbox"/> 903 Five point vest harness 	<input type="checkbox"/> 906 Five point harness 
	<input type="checkbox"/> 894 45° pelvic belt 	<input type="checkbox"/> 920 4 Point belt 	<input type="checkbox"/> 817 Leg straps 	<input type="checkbox"/> 824 Adjustable transparent tray 	<input type="checkbox"/> 824B wide tray just for 850-851-856 indoor bases. 	
	<input type="checkbox"/> 839 Adjustable front handle 	<input type="checkbox"/> 827 Foot straps 	<input type="checkbox"/> 892 Padded covering for footrest 	<input type="checkbox"/> 869 OUTDOOR four wheels base  <p>ACCORDING TO THE ISO 7176/19 and ANSI RESNA WC/19</p> <p>Bug with base 869 passed CRASH TEST according to the ISO 7176/19 and ANSI RESNA WC/19</p>		
	For the accessories of the 869 base, please refer to the appropriate order form					