

DISTRIBUTOR/AGENT:	DATE OF ORDER:
	DATE OF DELIVERY:
	NAME OF THE ADDRESSEE/USER:



CE marked

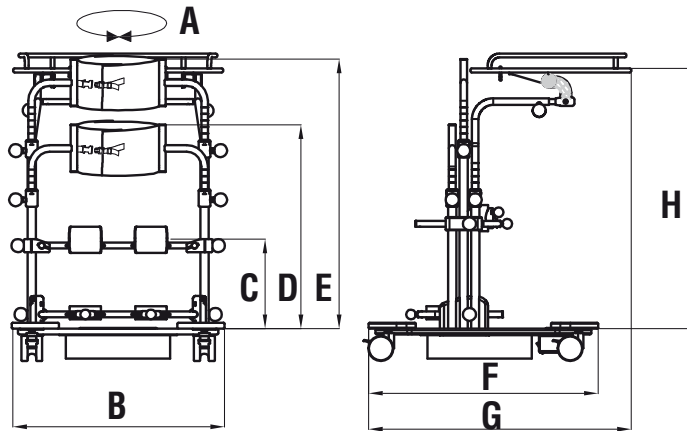
FUNCTIONS

- No edge **frame**, in order to enable trunk rotation and side-arm motion. It's adjustable in height by knobs, without using wrenches, "tools free".
- **Birch wood table**. It is removable and adjustable in height, tilt and depth.
- **Trunk Support** adjustable in its circumference thanks to Velcro straps, in height, back and forward.
- **Pelvic Support** adjustable in its circumference thanks to Velcro straps, in height, back and forward.
- **Numbered bars** to find the right setting, determined by the therapist.
- **Knee-pads** adjustable in height, width, depth and in a rotatory movement.
- **Heelrests** adjustable in depth and width.
- **Birch wood footboard**. It gives a safe guide to the child.
- **Twinned solid Wheels**, 75 mm. diam., rear wheels with brakes. Thanks to the wheels the aid can be moved from one room to another having the child on it.
- **Electronic Kit**: patented system fixed under the footboard which can transform an "audio" electronic signal into vibration

Please check off the interested products: _____

MEASURES

size 1 size 2 size 3



Attention!
 Read carefully the user and maintenance manual

User dimensions

USER HEIGHT (C)
 size 1: min cm 75 (29.5") - max cm 100 (39.3")
 size 2: min cm 95 (37.4") - max cm 125 (49.2")
 size 3: min cm 120 (47.2") - max cm 150 (59.05")

IMPORTANT:
make sure that measures D and E indicated in the figure do not exceed the suggested range indicated for pelvic and trunk supports.

SIZE	MAX LOAD CAP	WEIGHT	A	B	C	D	E	F	G	H
1	Kg. 35 (Lbs 77)	Kg. 22,6 (Lbs 49)	cm 60 (23.6")	cm 60 (23.6")	cm 14-26 (7.4"-12.2")	cm 43-54 (16.9"-21.2")	cm 55-70 (21.6"-27.5")	cm 66 (25.9")	cm 76-86 (29.9"-33.8")	cm 49-73 (19.3"-28.7")
2	Kg. 45 (Lbs 99)	Kg. 25,6 (Lbs 56.4)	cm 65 (25.5")	cm 65 (25.5")	cm 14-36 (5.5"-14")	cm 55-68 (21.6"-26.7")	cm 70-90 (27.5"-35.4")	cm 70 (27.5")	cm 78-88 (30.7"-34.6")	cm 58-88 (22.8"-34.6")
3	Kg. 55 (Lbs 55)	Kg. 28,5 (Lbs 62)	cm 70 (27.5")	cm 68 (26.7")	cm 14-42 (5.5"-16.5")	cm 65-85 (25.6"-33.4")	cm 85-110 (33.4"-43.3")	cm 73 (28.7")	cm 80-90 (31.4"-35.8")	cm 69-100 (27.1"-39.3")

ACCESSORIES

<input type="checkbox"/> 944 Circumference reduction parts Thickness: 3 cm. each side <p>view from above</p>	<input type="checkbox"/> 865 Adjustable headrest
---	---

Notes: _____

