

OBI

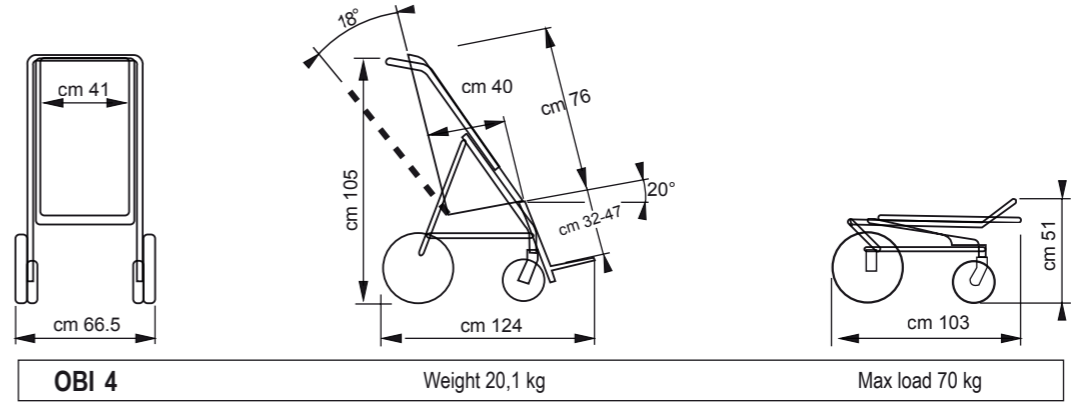
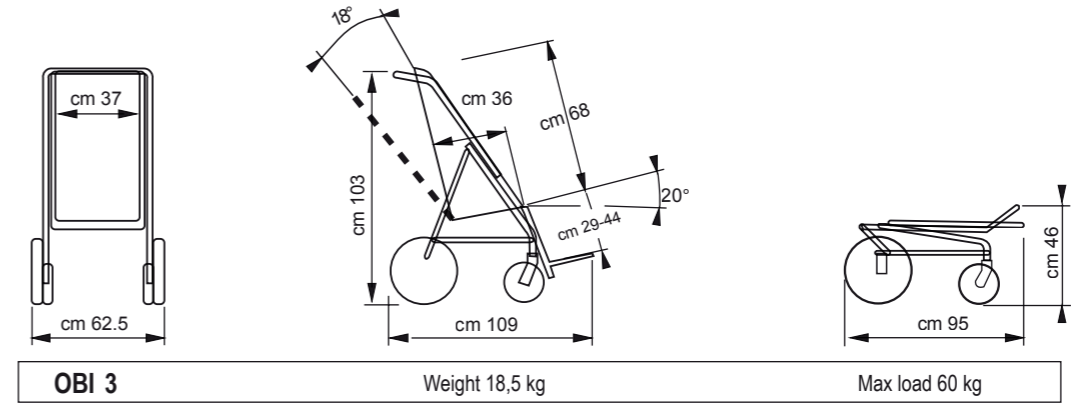
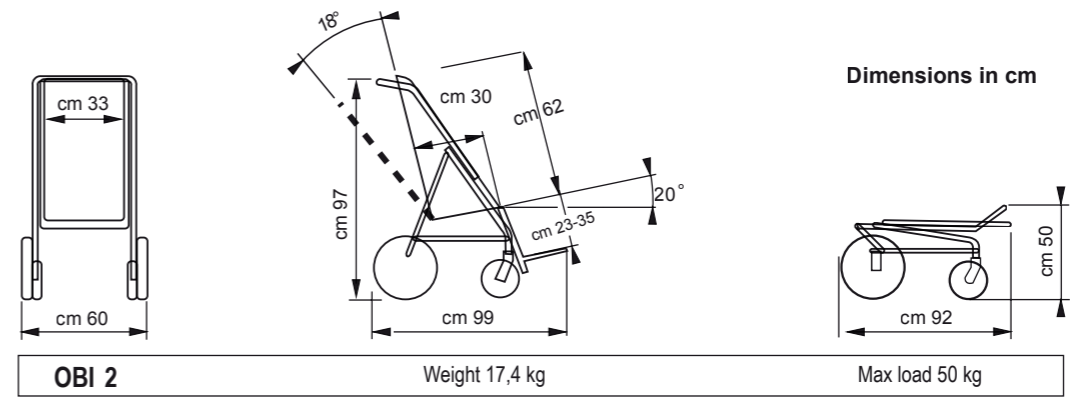
INGLESE Cod. 22071 13-06-16



CRASH TESTED for the forward-facing transport of the pushchair in a motor vehicle (private vans/cars, buses..)

CRASH TESTED
ACCORDING TO THE
ISO 7176/19

The copyright even if partial is forbidden without any authorization of the manufacturer. The manufacturer reserves the right to introduce any changes without prior notice.



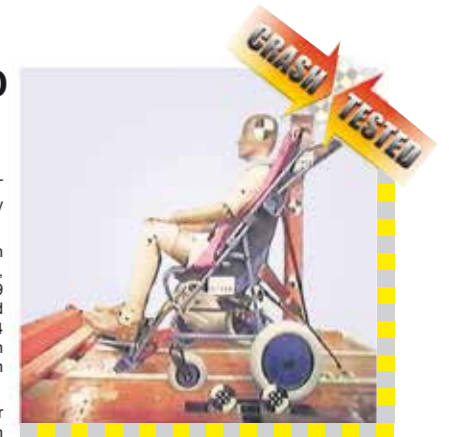
Product Certified by the Following Institute
CERAH France

Product Registered
FDA USA

CRASH TESTED
according to the ISO 7176/19

Product Marked
CE

- WARNINGS:**
- fits the ISO 10542 compliant 4-POINT STRAP-TYPE TIEDOWN, provided by the vehicle
 - it is required for the child to wear both pelvic- and shoulder-belt-type restraints, to be compliant either with ISO 7176-19 or ISO 10542. Postural belts and harnesses such as our 828, 853 and 894 are not approved for the use as an occupant restraint system, but they can be used in addition
 - the vehicle must be suitable for transporting orthopedic pushchairs in compliance with current law
 - read the warnings and instructions given in the user's & maintenance book



Authorized Dealer

 design and quality
MADE IN ITALY since 1980



ORMESA s.r.l.
Via A. Da Sangallo, 1 - 06034 FOLIGNO (PG) ITALY
TEL. +39 0742 22927-FAX +39 0742 22637
info@ormesa.com-www.ormesa.com



COMPANY WITH QUALITY
MANAGEMENT SYSTEM
CERTIFIED BY
ISO 9001

technical features

- Steel and aluminium **folding frame**, painted with non-toxic epoxy varnish
- Trevira, **padded, fire-retardant and removable upholstery**, machine washable at 30°
- **Chassis** made of natural-looking "cordura du pont" nylon, hard-wearing, washable



- 1 - slots for headrest
- 2 - slots for harness (853)
- 3 - side protections on the frame
- 4 - 828 chest belt (accessory)
- 5 - slots for abduction block
- 6 - quick release adjustment for the footrest
- 7 - adjustable tip-up footrest
- 8/9 - wheels, sliding on ball bearings:
front 17,5-cm. (7") swivel, unpierceable
rear pneumatic 30-cm. (12") unpierceable rubber on request
- 10 - independent brake, light to use but hard wearing.
No dangerous protuberances
- 11 - fold lock



Rigid backrest with four quick release recline positions.
Rigid fixed seat.
Quick release **reclinable legrest**

accessories



834 Abduction block



835 Headrest with two side elements, which can be used one at a time (either the left side or the right side)



853 Adjustable harness



812 Wheel direction locks



817 Inguinal straps



816 Side supports



827 Foot straps



839 Front handle



894 45° Belt for the pelvis



858 Basket



824 Table with edge and hollow



837 Tray



819 Canopy



825 Rain cover (the rain cover can only be attached after the canopy 819)



818 Thermic cover



891 Set of 4 tie down hooks for the forward-facing transport of the pushchair in a motor vehicle (private vans/cars, buses..)