

SCHOOL & FREE TIME TABLE



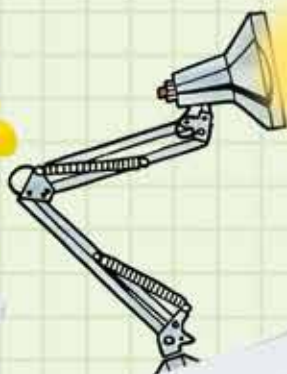
size 2



size 3



size 4



CE

 design and quality
MADE IN ITALY since 1980

ORMESA®

The 425 TABLE was designed for teaching educational activities and as a support to other aids

- tubular chromium-plated **FRAME** and painted base
- washable **TOP** with border and hollow. It is adjustable in height and tilt
- in order to use the top while it is inclined we supply the **BOOK** and **PEN CLIPS**
- **SIDE HOOK** for bag

Measures in cm

Table 425-2

Weight of the aid:
Kg. 9

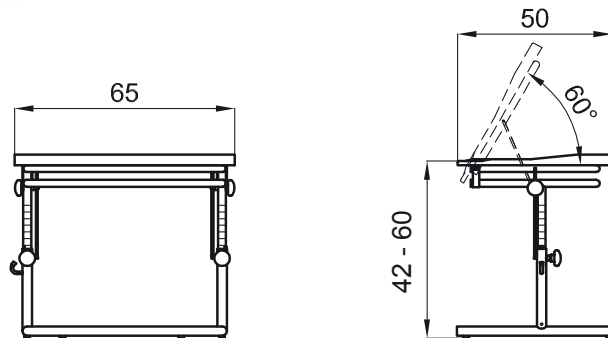


Table 425-3

Weight of the aid:
Kg. 12

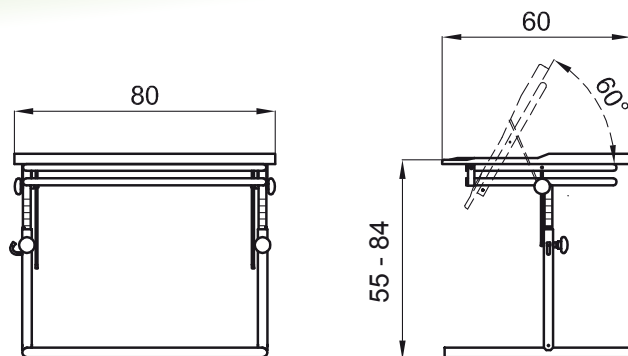
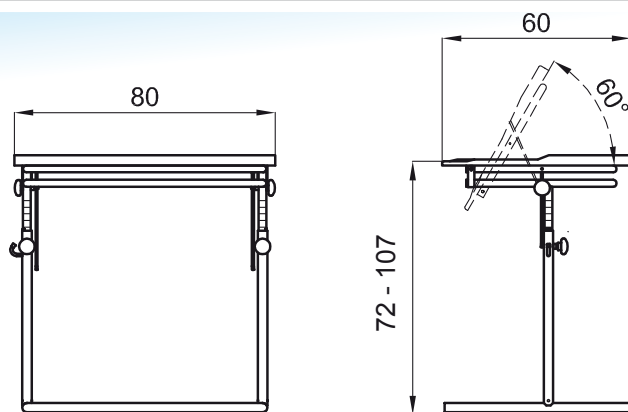


Table 425-4

Weight of the aid:
Kg. 13



THE NUMBERS DIVIDED BY THE DASH (-) SPECIFY A MINIMUM AND A MAXIMUM ADJUSTMENT

Authorized dealer

ORMESA s.r.l.
Via A. Da Sangallo, 1 - 06034 FOLIGNO (PG) ITALY
TEL. +39 0742 22927-FAX +39 0742 22637
info@ormesa.com-www.ormesa.com



COMPANY WITH QUALITY
MANAGEMENT SYSTEM
CERTIFIED BY
= ISO 9001 =