

Duecentotré 5

DOCCIA

203-5 SHOWER CHAIR

INGLESE cod. 22165 - 10-18

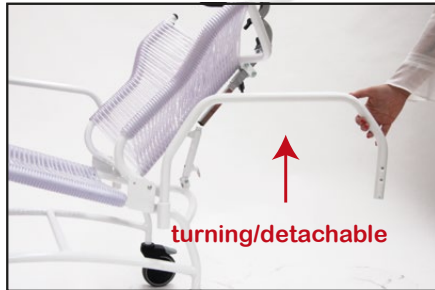


 *design and quality*
MADE IN ITALY since 1980

ORMESA[®]


Duecentotre 5 DOCCIA

203-5 SHOWER CHAIR



The copyright even if partial is not allowed, without the authorization of the manufacturer.

Technical specifications:

- **ALUMINIUM FRAME** Painted with non-toxic epoxy varnish.
 - **WINDING HEADREST** separated from the backrest and adjustable in tilt, height and in the front and in the back position.
 - Triangular shaped **WINDING BACKREST**, for the best control of the trunk, it can be fixed in 2 positions to have the seat adjustable in depth (2 different ones). Adjustable tilt thanks to the back rack locking.
 - **SEAT** with a 15° tilt, to prevent the user from falling forward
 - Washable **SPECIAL FIREPROOF PLASTIC**. It allows a wide perspiration and it's highly wear-resistant. The sufficiently elastic covering assumes the shape of the shoulders and of the bottom.
 - **LEGREST ADJUSTABLE** in tilt.
 - **One only overturnable FOOTREST**, to help the approach of the operator, the sitting and the getting down of the user.
- Unpierceable **WHEELS** 12 cm, back wheels with brake.

Accessories:

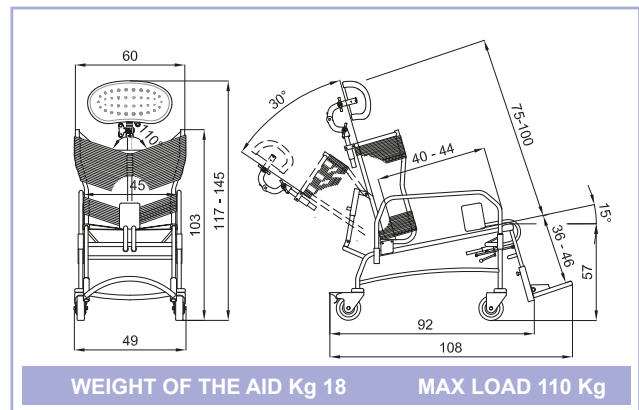


834 abduction block, adjustable in depth



828 abdominal belt

measures in cm



THE NUMBERS DIVIDED BY THE DASH SPECIFY A MINIMUM AND A MAXIMUM ADJUSTMENT

Authorized Dealer

ORMESA® s.r.l. On with the Future

Via A. Da Sangallo,1 - 06034 FOLIGNO (PG) ITALY
TEL. +39 0742 22927-FAX +39 0742 22637
info@ormesa.com-www.ormesa.com



COMPANY WITH QUALITY MANAGEMENT SYSTEM CERTIFIED BY
-ISO 9001-